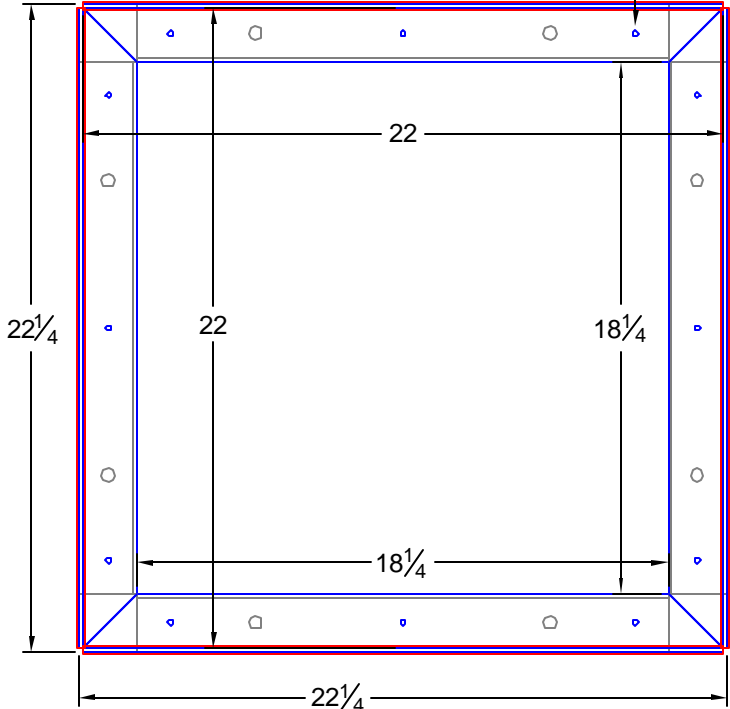


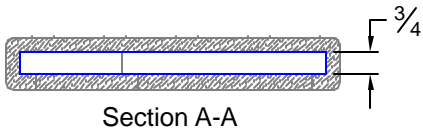
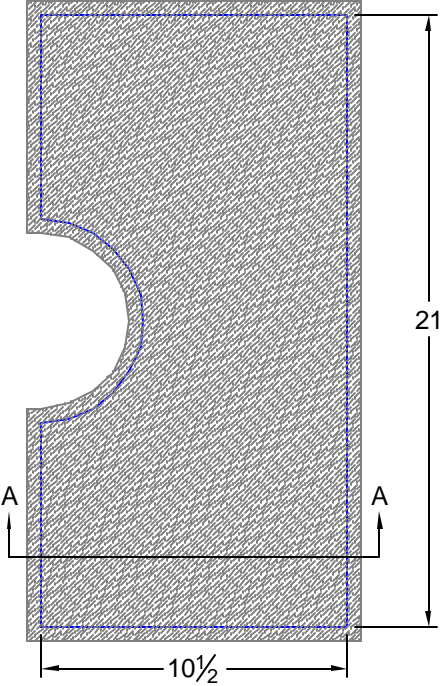
**FOOTBALL GOAL ACCESS FRAME KIT
SEF304**

- Parts List:
 (1) Access Frame
 (2) Pole Plugs

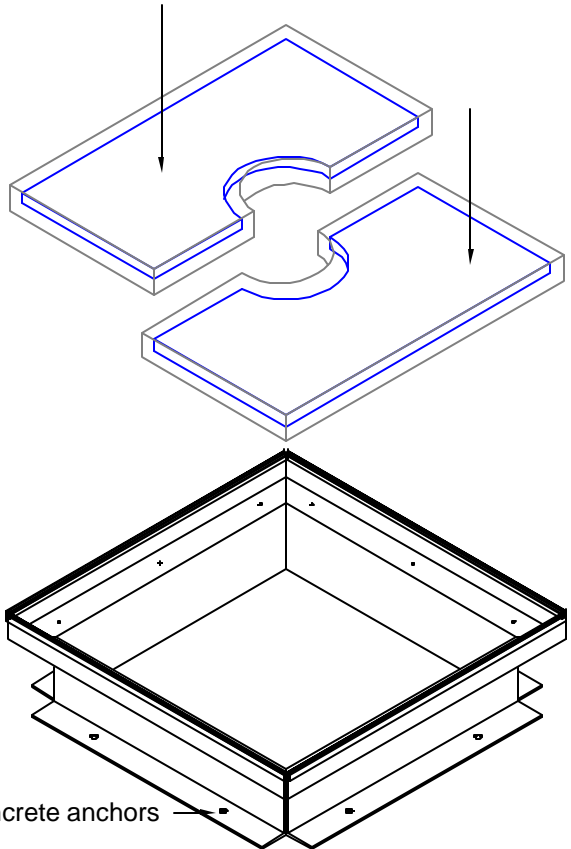
Access Frame is constructed from 1/8" Aluminum.



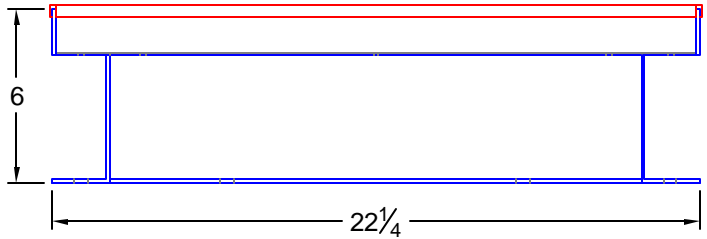
Pole plug is constructed from 3/4" Marine Plywood, and 1/2" Artificial Turf.



Pole Plugs drop into access frame around foot ball goal post. Turf provides a snug fit against access frame and goal post.

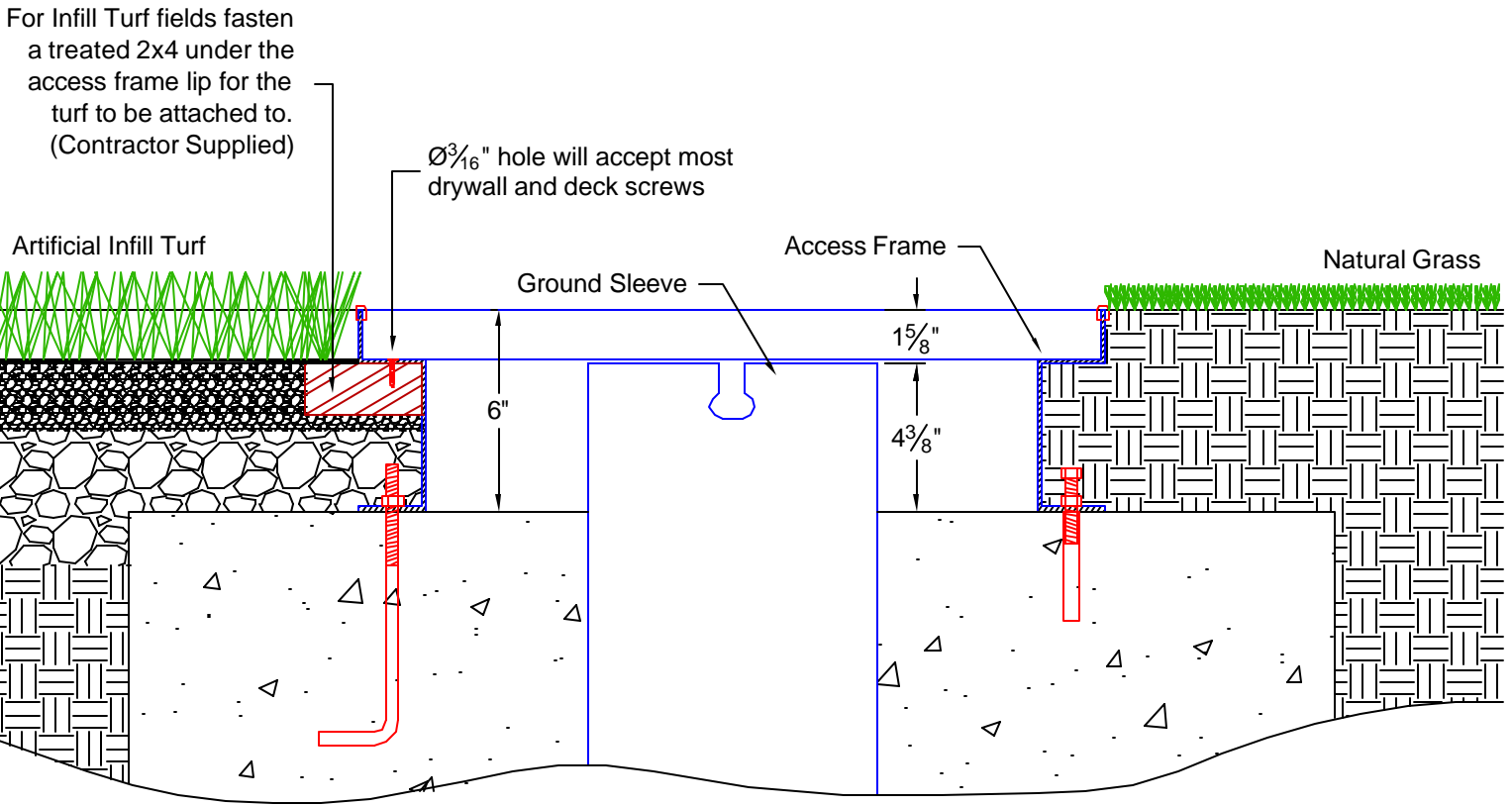
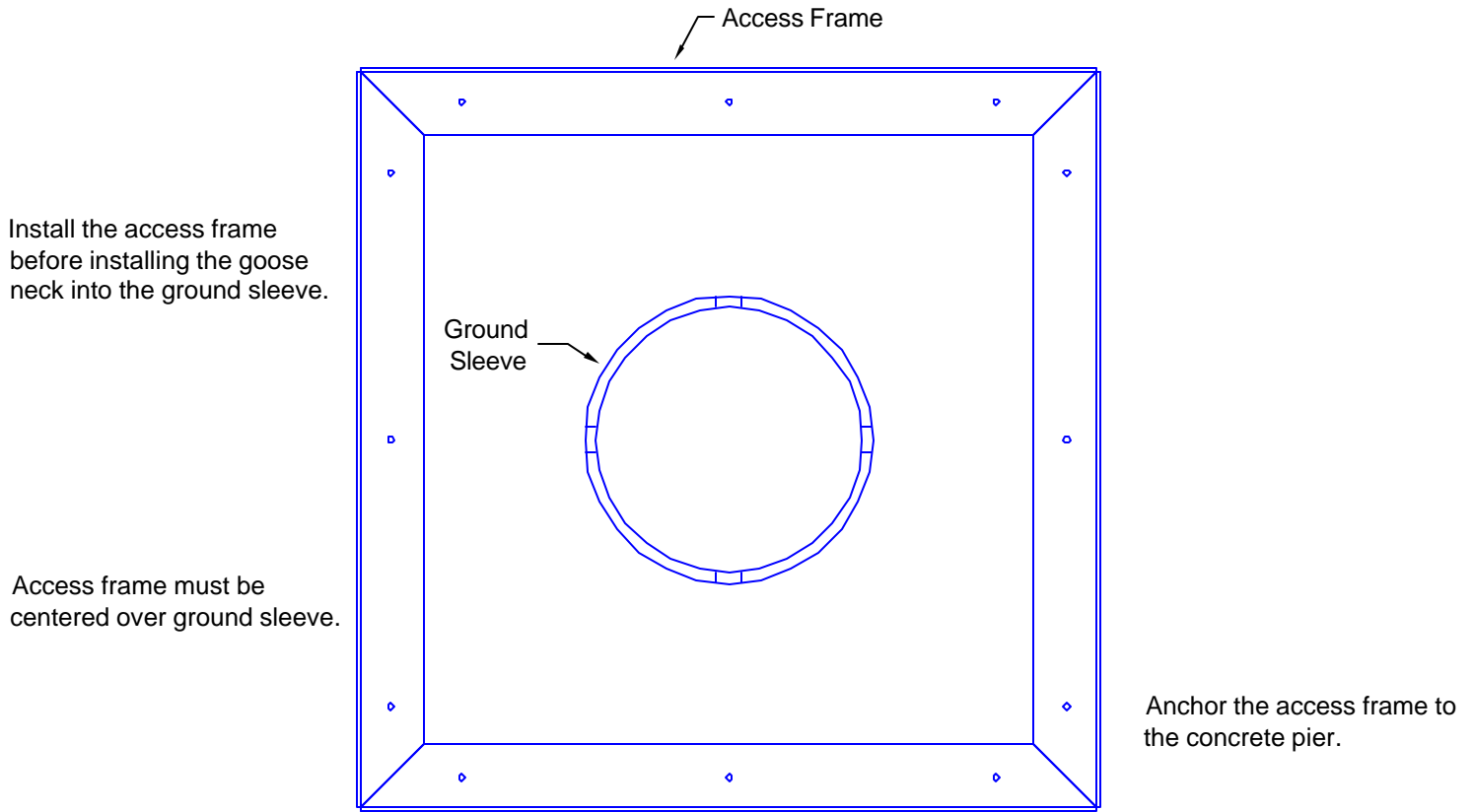


Top edge of access frame has protective edge trim.



Ø 7/16" holes for concrete anchors

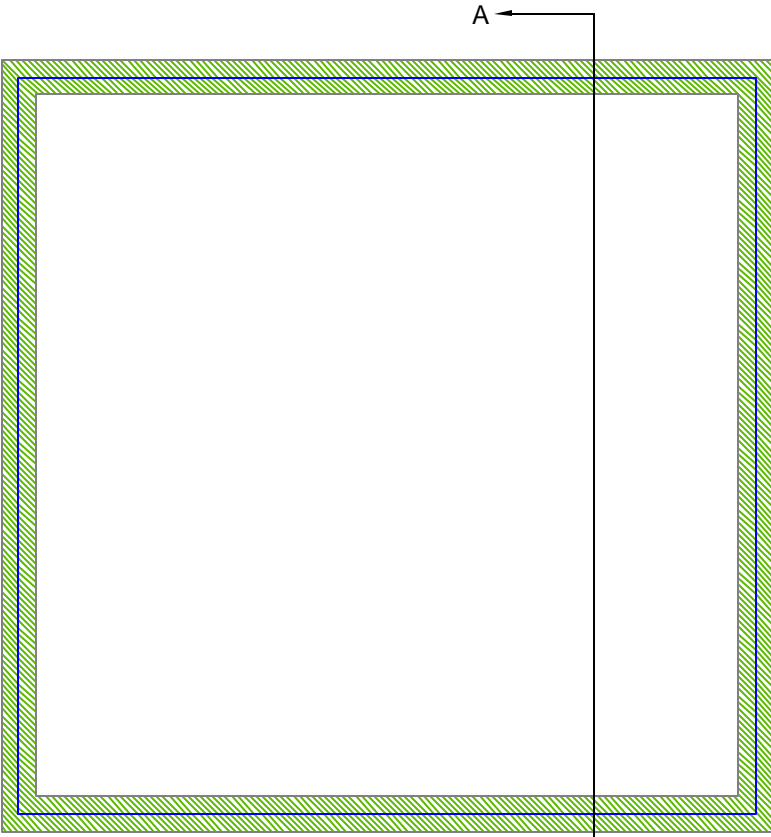
FOOTBALL GOAL ACCESS FRAME INSTALLATION INSTRUCTIONS



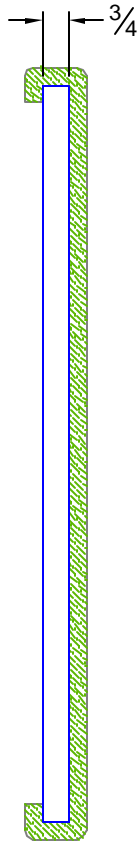
**FOOTBALL GOAL ACCESS FRAME
SOLID PLUG W/ TURF SEF3045**

Access frame plug is constructed from $\frac{3}{4}$ " Marine Plywood, and $\frac{1}{2}$ " Artificial Turf.

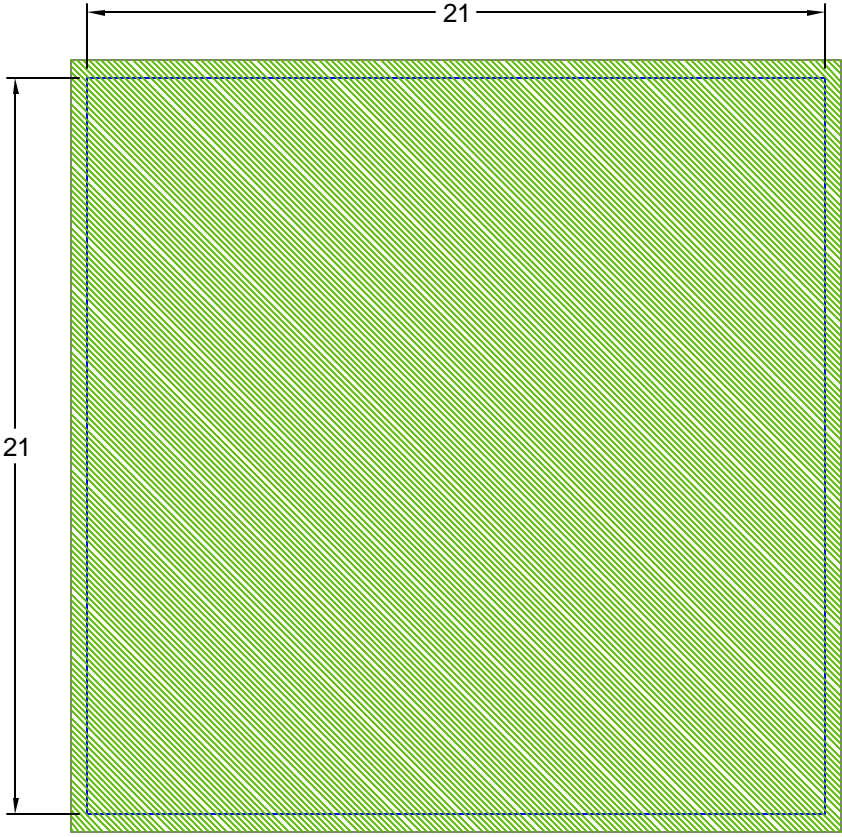
(OPTIONAL) For use with the FootBall Goal Access Frame (SEF304) when the goal post is removed.



Bottom View



Section A-A



Top View