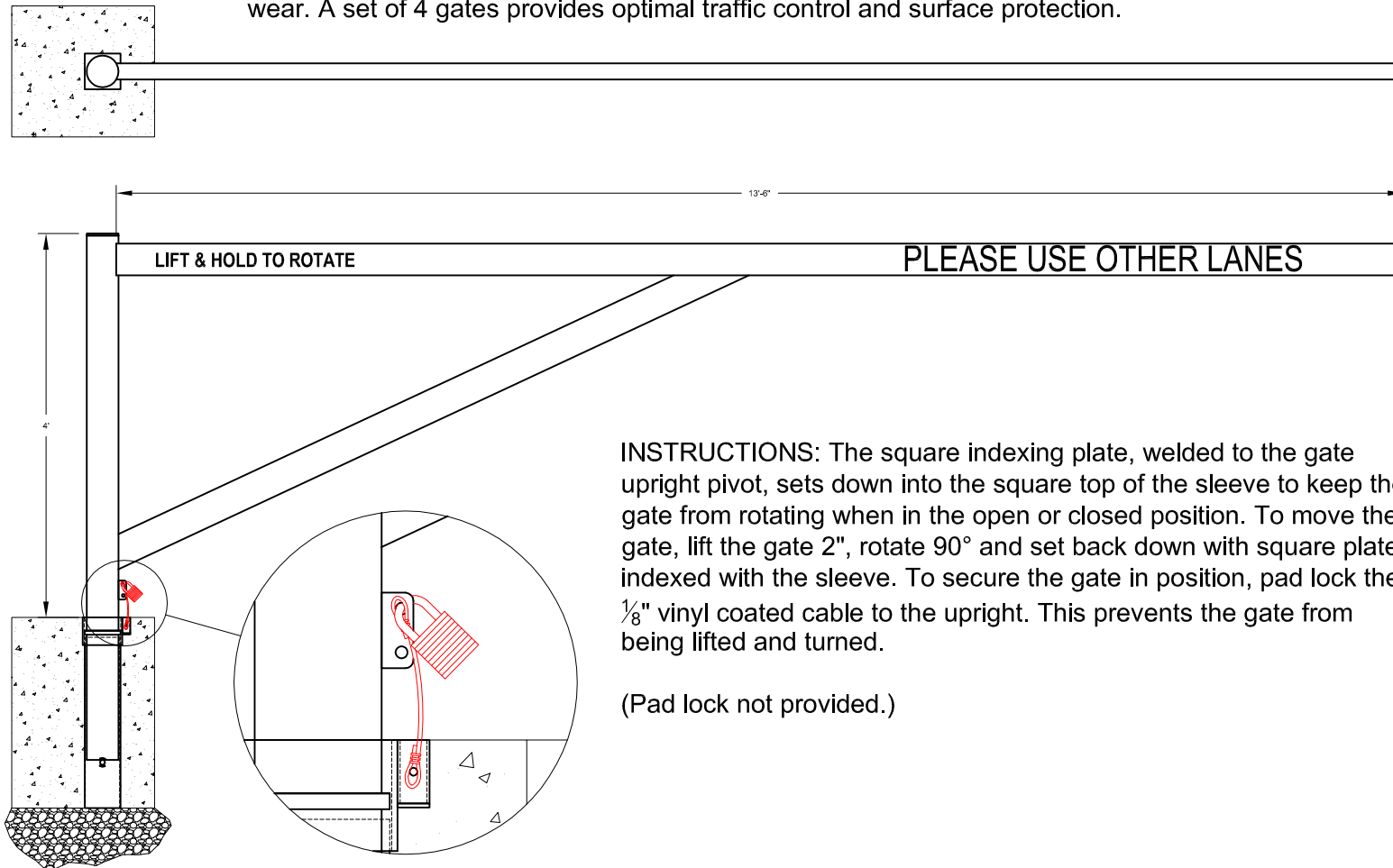


# TRACK LANE GATE SE8540

## SPECIFICATIONS

The 3 Lane Track Gate is constructed of 4" Sch40 aluminum pipe and 2" x 4" x 1/8" wall aluminum tube, both 6000 series aluminum. A 24" steel ground sleeve with locking mechanism is provided for simple lift and rotate operation. With the use of a pad lock, the gate can be secured in position, preventing the gate from being lifted and rotated. The gate is designed to control traffic on the 3 inside lanes yielding reduced surface wear. A set of 4 gates provides optimal traffic control and surface protection.



**INSTRUCTIONS:** The square indexing plate, welded to the gate upright pivot, sets down into the square top of the sleeve to keep the gate from rotating when in the open or closed position. To move the gate, lift the gate 2", rotate 90° and set back down with square plate indexed with the sleeve. To secure the gate in position, pad lock the 1/8" vinyl coated cable to the upright. This prevents the gate from being lifted and turned.

(Pad lock not provided.)

**SportsEdge**

A Division of ABT, Inc.  
P.O. Box 837 \* 259 Murdock Road  
Troutman, NC 28166  
800-334-6057

**TITLE:** SE8540 - Rotating 3-Lane Track Gate

**DRAWN BY:** M.D.H.

**CHECKED BY:**

**DRAWING NUMBER:**

SE8540-1

**SCALE:** NONE

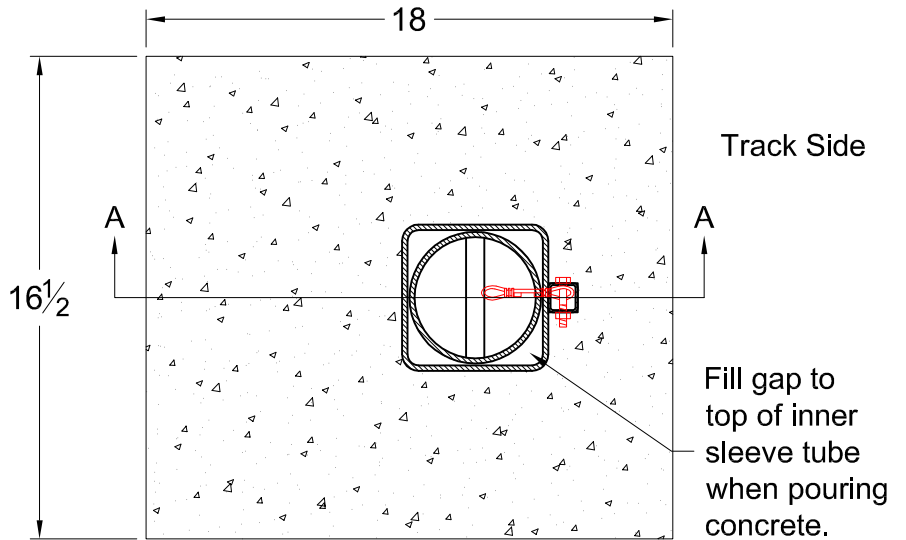
**DATE:** 12/05/05

**A-**

Proprietary rights of ABT, Inc. are included in the information disclosed herein. The recipient, by accepting this document, agrees that neither this document nor the information disclosed herein nor any part thereof shall be copied, reproduced or transferred to others for manufacturing or for any other purpose except as specifically authorized in writing by ABT, Inc..

**DISCLAIMER:** The customer and the customer's architects, engineers, consultants and other professionals are completely responsible for the selection, installation, and maintenance of any product purchased from ABT, and EXCEPT AS EXPRESSLY PROVIDED IN ABT'S STANDARD WARRANTIES, ABT MAKES NO WARRANTY, EXPRESS OR IMPLIED, AS TO THE SUITABILITY, DESIGN, MERCHANTABILITY, OR FITNESS OF THE PRODUCT FOR CUSTOMER'S APPLICATION. Copies of ABT's standard warranties are available upon request.

# 8540 - TRACK LANE GATE GROUND SLEEVE INSTALLATION

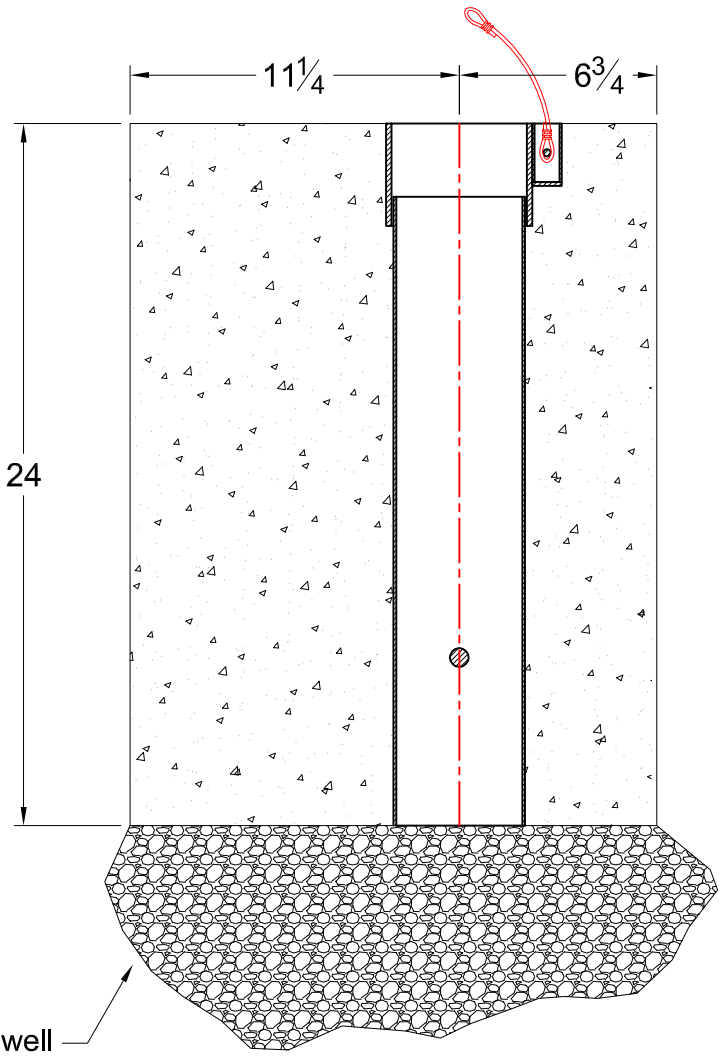


**INSTRUCTIONS:**  
Install the sleeve square with the track as shown. The 1"sq tube with the cable should face the track.

Ensure that the cable stays out of the concrete.

For proper drainage, concrete must not seal the bottom of the sleeve.

The square portion of the sleeve must be embedded in the concrete for support. Fifty pounds of force on gate can exert over 2 tons of force at the pivot.



**NOTICE:**  
All installations should be performed by experienced contractors and in accord with all applicable codes, laws and regulations. Suggested installation instructions herein are illustrative only and should be adapted to suit local requirements. Gill Athletics is not responsible for the manner in which these products are installed.

Gravel Dry well

Section A-A

Proprietary rights of ABT, Inc. are included in the information disclosed herein. The recipient, by accepting this document, agrees that neither this document nor the information disclosed herein nor any part thereof shall be copied, reproduced or transferred to others for manufacturing or for any other purpose except as specifically authorized in writing by ABT, Inc..

<b>SportsEdge</b> A Division of ABT, Inc. P.O. Box 837 * 259 Murdock Road Troutman, NC 28166 800-334-6057	<b>TITLE:</b> SE8540 - INSTALLATION	
	<b>DRAWN BY:</b> M.D.H.	<b>CHECKED BY:</b>
<b>SCALE:</b> NONE	<b>DATE:</b> 5/26/05	<b>DRAWING NUMBER:</b> SE8540-2 <b>A-</b>
<small>DISCLAIMER: The customer and the customer's architects, engineers, consultants and other professionals are completely responsible for the selection, installation, and maintenance of any product purchased from ABT, and EXCEPT AS EXPRESSLY PROVIDED IN ABT'S STANDARD WARRANTIES, ABT MAKES NO WARRANTY, EXPRESS OR IMPLIED, AS TO THE SUITABILITY, DESIGN, MERCHANTABILITY, OR FITNESS OF THE PRODUCT FOR CUSTOMER'S APPLICATION. Copies of ABT's standard warranties are available upon request.</small>		